

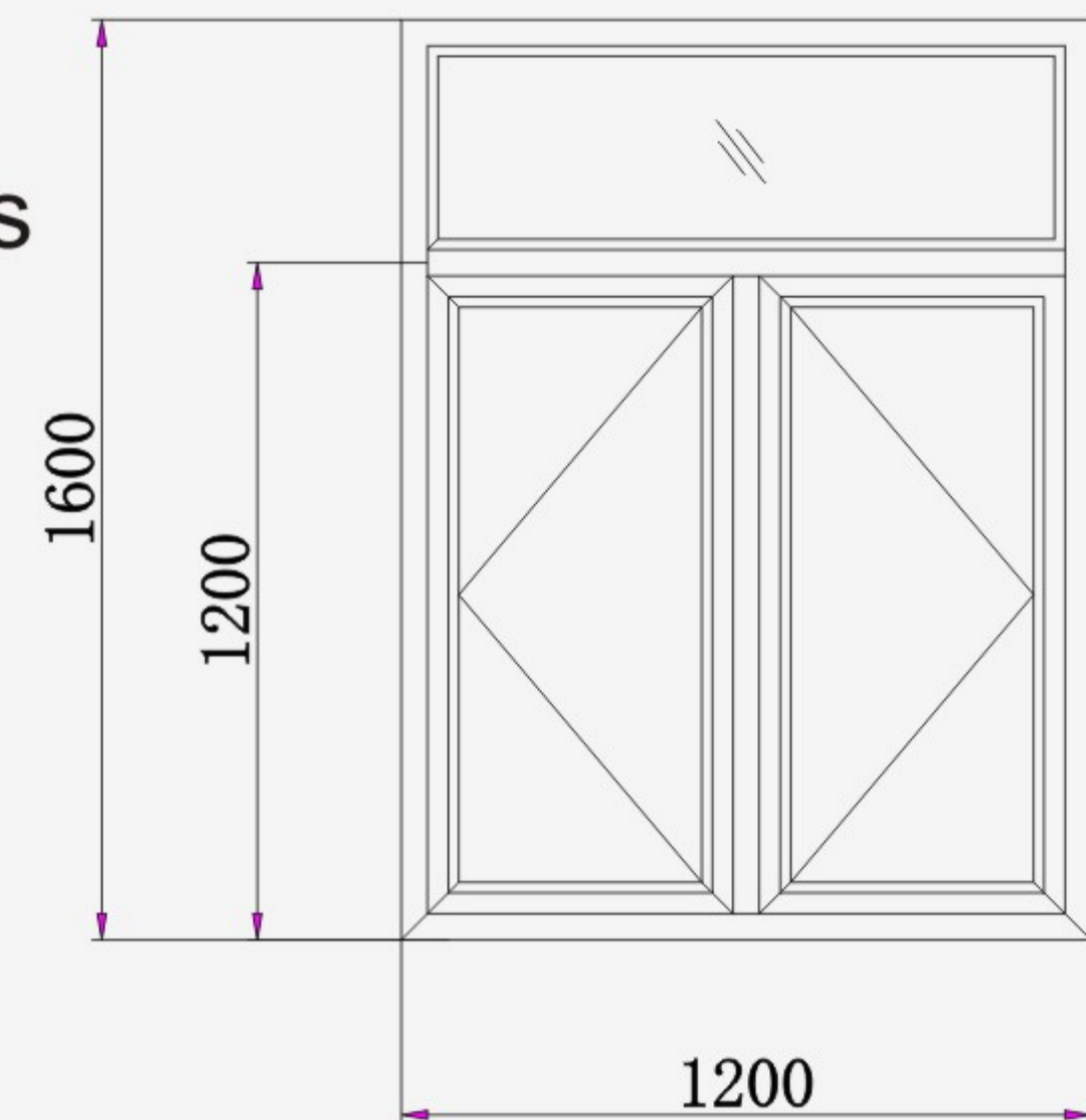


# GRPK65B Series Heat-insulation Outward Casement Window

GUANG YA

## GRPK65B Series Heat-insulation Outward Casement Window

Product: GRPK65B Series outward casement window  
 Profile type: Heat-insulated aluminum section with strips  
 Frame width: 65mm  
 Glazing option: 26.06~52mm  
 Opening style: Outward opened  
 Profile thickness: 1.4mm  
 Consumption of aluminum profile: 11.64kg/m<sup>2</sup>



Product performance (in accordance with GB/T 8478 - 2008)

1. Wind loading resistance: Grade 8 -  $4500 \leq P_3 < 5000 P_a$
2. Air tightness: Grade 7 -  $1.0 \geq q_1 > 0.5 m^3 / (m.h)$
3. Water proof: Grade 6 -  $\Delta p \geq 700 P_a$

Product features:

1. Good effect of heat-insulation, heat-preservation sealing effect and excellent performance of air-tight and waterproof.
2. The frame of the outward window is designed with a large groove to fit dedicated window hinge.
3. The limit of inward window is avoided, like taking up indoor space when opening, causing trouble in hanging curtains, installing liftable rails or children knocks, etc.
4. High-grade and elegant.

Accessories provided by Guangya:

Item	Price *
Friction Hinge	¥ 12- ¥ 20/ pc
Two-bore Lock	¥ 40- ¥ 200/ set
Hinge	¥ 13- ¥ 18/ pc

Item	Price *
Sealant	¥ 2- ¥ 5/ meter
Weather Strip	¥ 0.2- ¥ 0.5/ pc
Silicone Sealant	¥ 10- ¥ 15/ pc

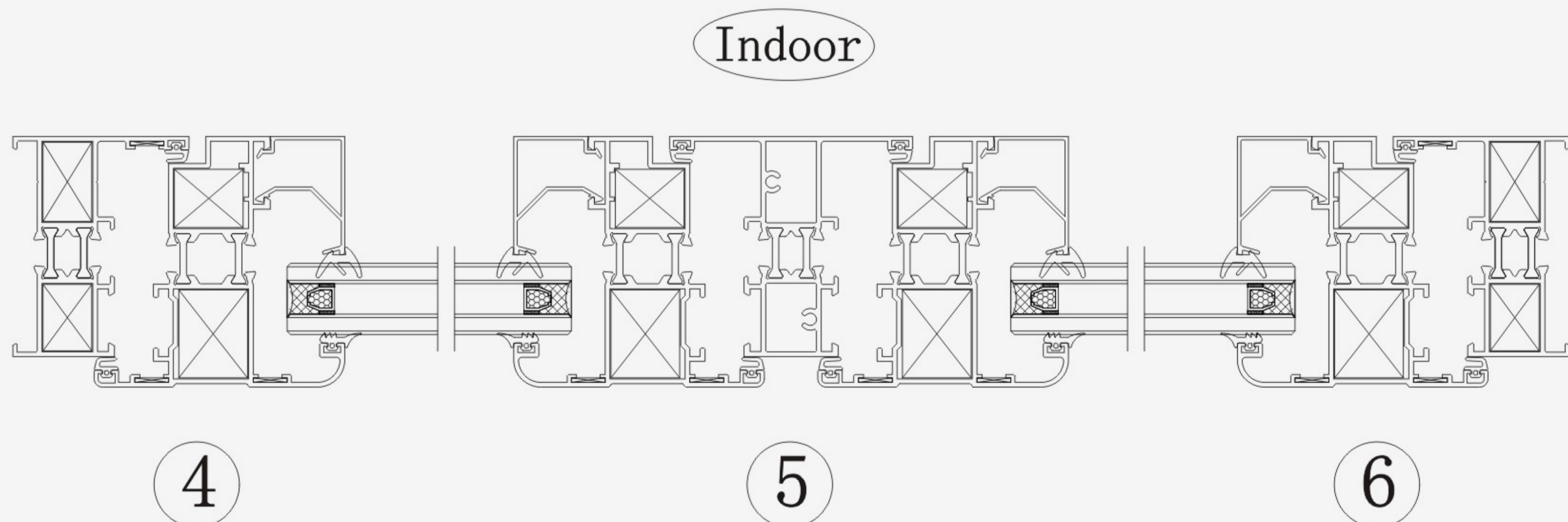
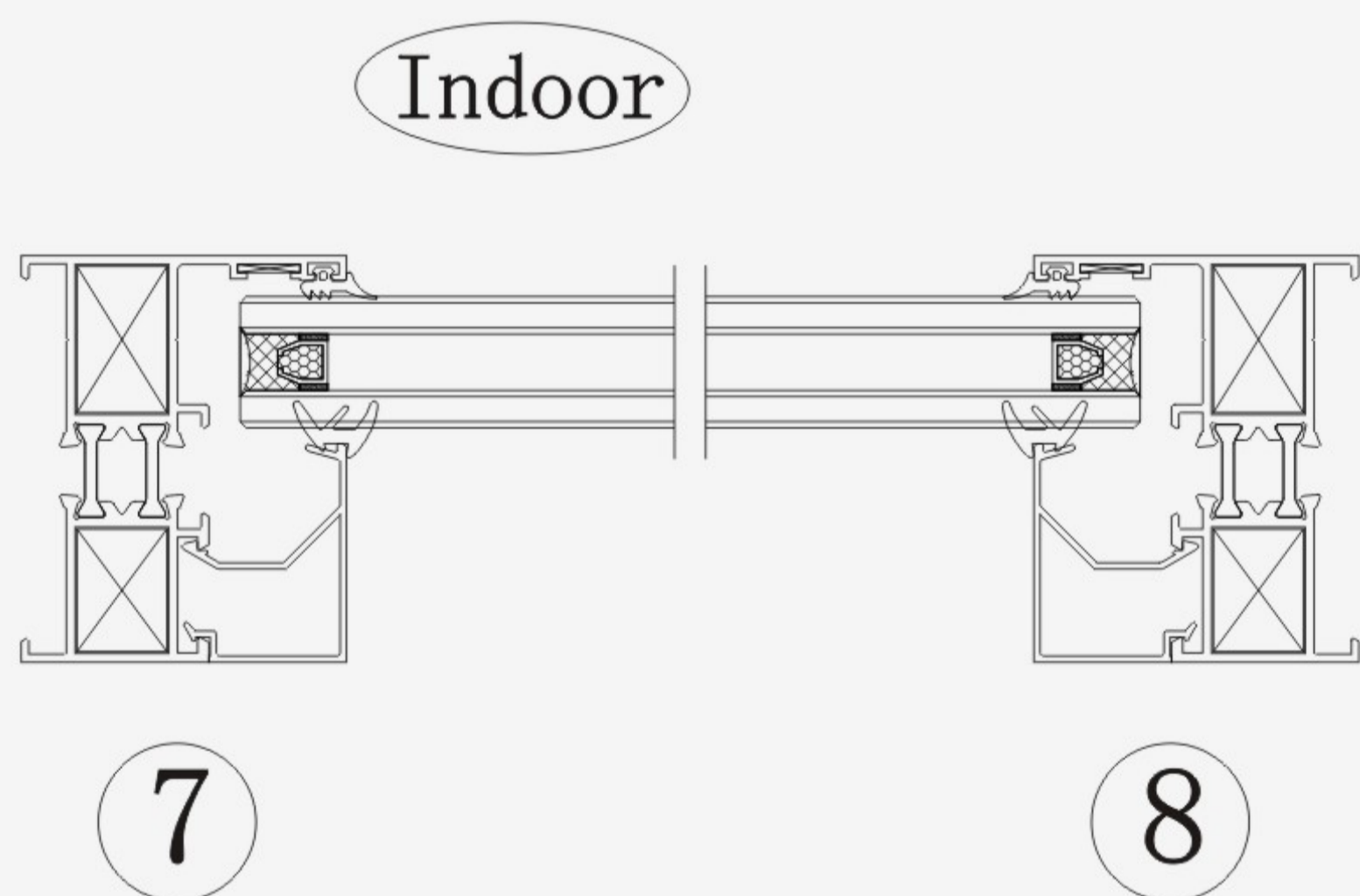
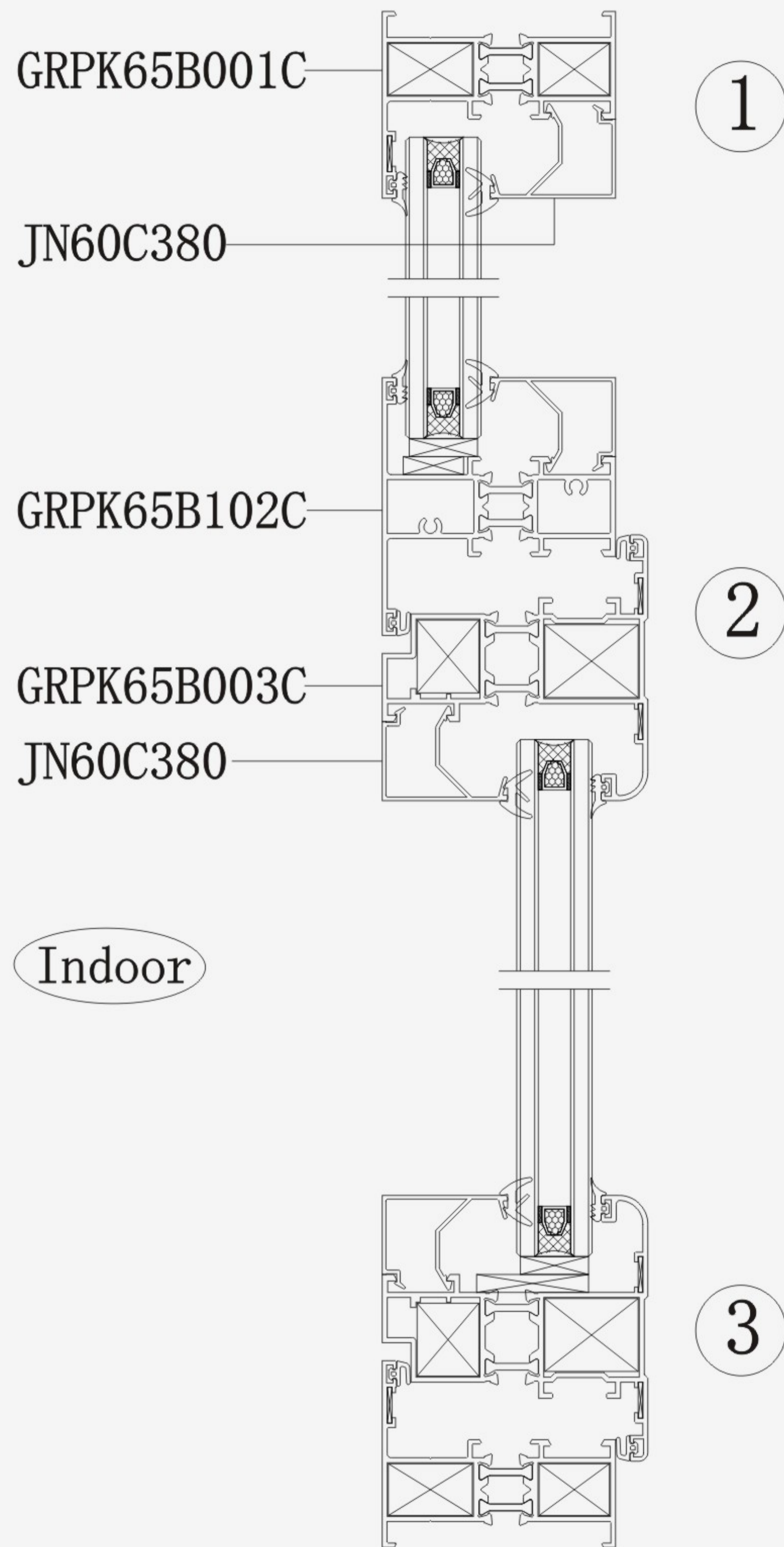
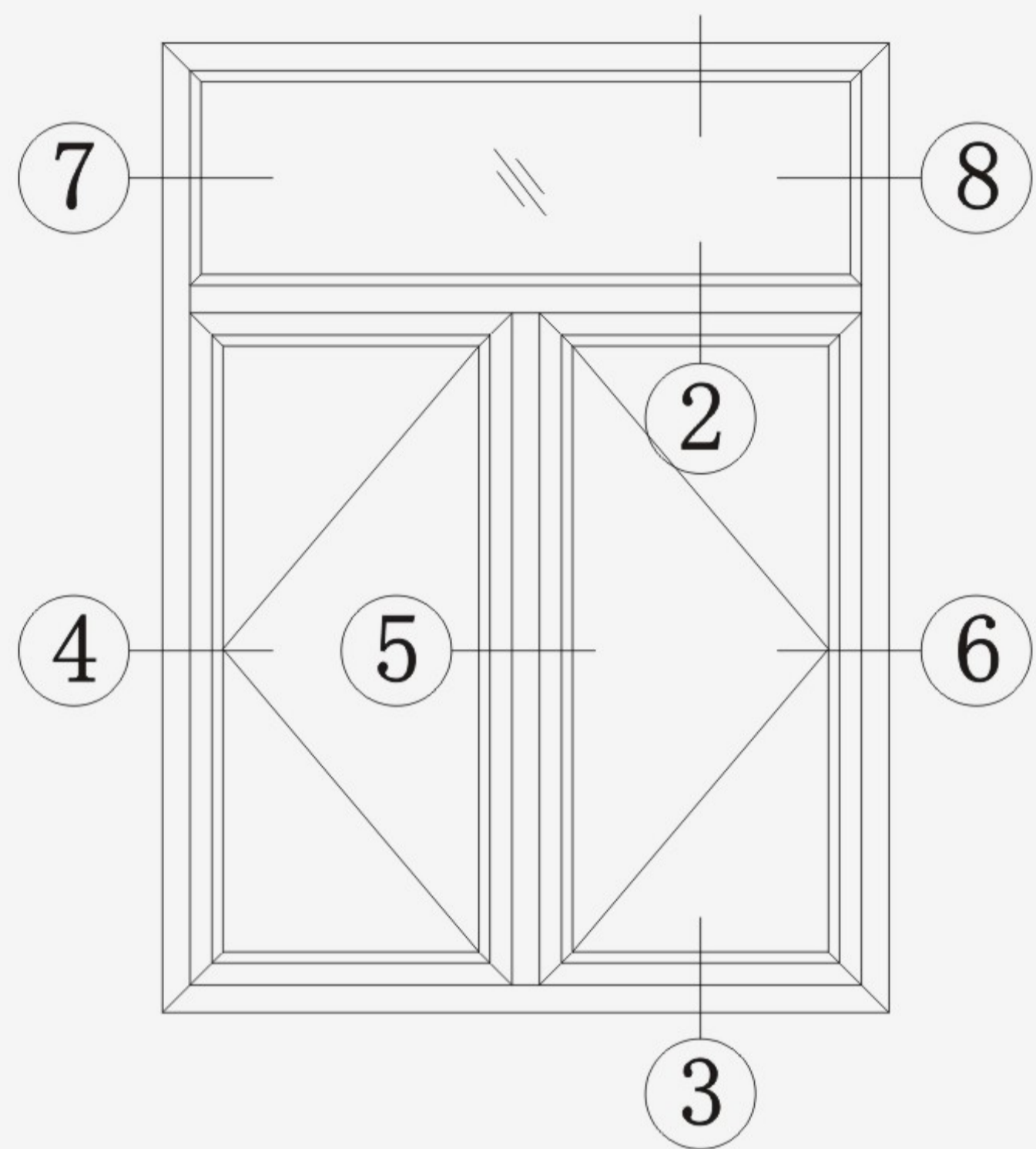
\* For reference only,subject to further change.



# GRPK65B Series Heat-insulation Outward Casement Window

GUANG YA

## GRPK65B Series Heat-insulation Outward Casement Window





# GRPK65B Series Heat-insulation Outward Casement Window

GUANG YA

<b>Application</b>	Frame	<b>Application</b>	Mullion	<b>Application</b>	Out-opening Sash
<b>DWG No.</b>	GRPK65B001C	<b>DWG No.</b>	GRPK65B102C	<b>DWG No.</b>	GRPK65B003C
<b>Thickness</b>	$\delta = 1.4$	<b>Thickness</b>	$\delta = 1.4$	<b>Thickness</b>	$\delta = 1.4$
<b>T.W.</b>	1.155kg/m	<b>T.W.</b>	1.348kg/m	<b>T.W.</b>	1.480kg/m
* Matching Angle Is JN60C416.				* Matching Angle Is JNPK65B119.	
<b>Application</b>	Bead For Angle	<b>Application</b>	Angle	<b>Application</b>	Angle
<b>DWG No.</b>	JN60C380	<b>DWG No.</b>	JN60C416	<b>DWG No.</b>	JNPK65B119
<b>Thickness</b>	$\delta = 1.0$	<b>Thickness</b>	$\delta = 3.27$	<b>Thickness</b>	$\delta = 3.0$
<b>T.W.</b>	0.280kg/m	<b>T.W.</b>	2.194kg/m	<b>T.W.</b>	2.572kg/m
* Assemble For GRPK65B001C, Glazed For 26.06mm,					