

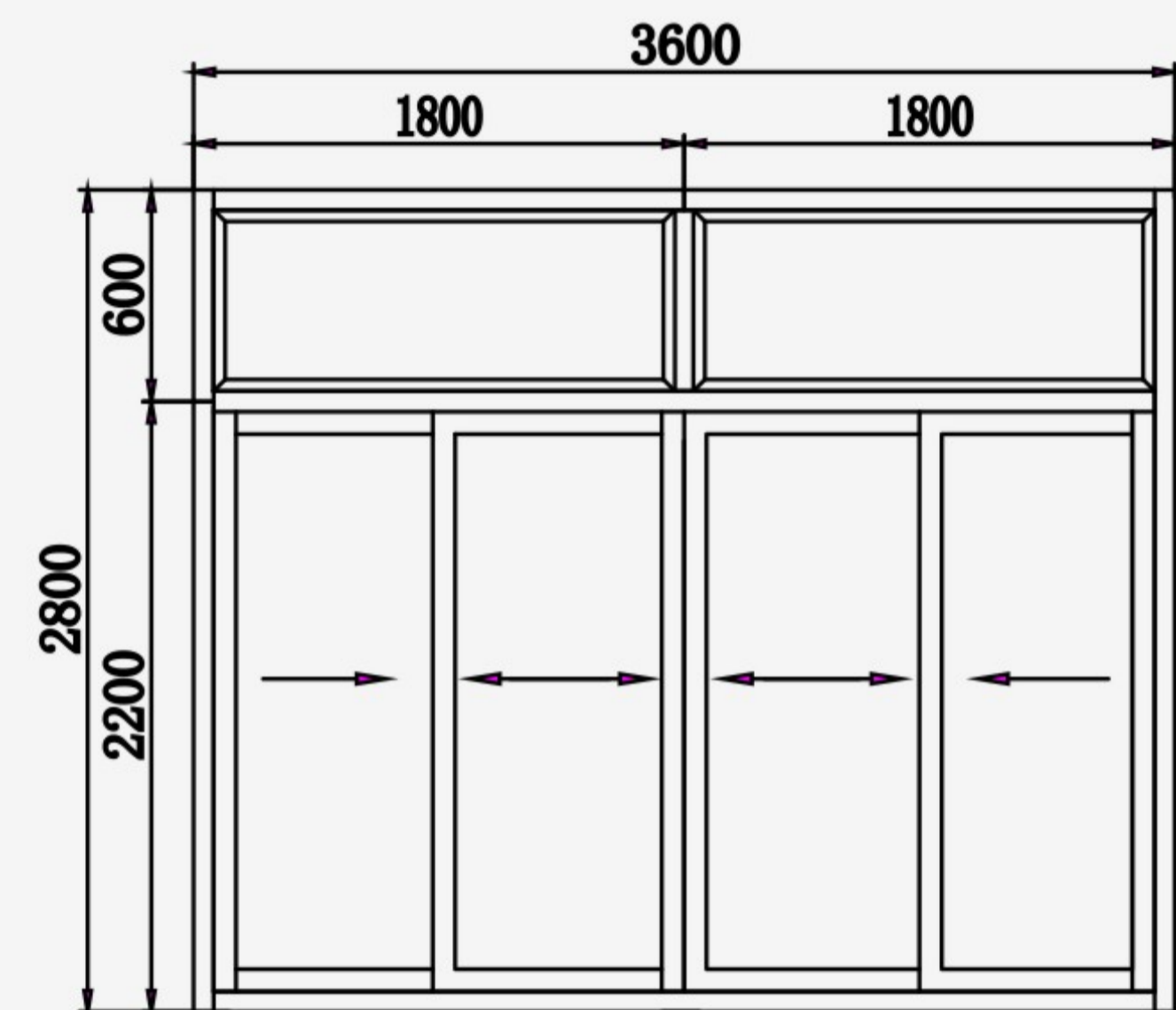


GUANG YA

# Y2KS Series Aluminum Sliding Door

## Y2KS Series Aluminum Sliding Door

Product: Y2KS Series sliding door  
 Profile type: Ordinary aluminium profile  
 Frame width: 99mm  
 Glazing option: 8~29.2mm  
 Opening style: Sliding opened  
 Profile thickness: 2.0mm  
 Consumption of aluminum profile: 5.062kg/m<sup>2</sup>



Product performance (in accordance with GB/T 8478 - 2008):

1. Wind loading resistance: Grade 7 -  $4500 \leq P_3 < 5000P_a$
2. Air tightness: Grade 5 -  $2.0 \geq q_1 > 1.5m^3 / (m.h)$
3. Water proof: Grade 3 -  $250 \leq \Delta p < 350P_a$

Product features:

1. The glass is sealed with insulating glass and sealant.
2. Slippery equipped with anti-theft, anti-climbing and anti-collision devices.
3. Slide adopts trapezoidal design; It has narrow rail and wide rail to selection.
4. Up and down equidistant design, both inside and outside can be installed sash screen.
5. The product structure is diverse and can be opened in a variety of ways.
6. Sliding door and window accessories have strong universality,.
7. According to the requirements of the rigidity and strength of profile in the project, the window fan can be strengthened to meet the requirements of high strength of doors and windows in high-rise buildings and strong typhoon areas.

Accessories provided by Guangya:

Item	Price *
Bar Lock	¥ 15- ¥ 25 / pc
Pulley	¥ 3- ¥ 6/ pc
Plastic Accessories	¥ 10/ pair
Two-bore Lock	¥ 60- ¥ 80/ pc

Item	Price *
Sealant	¥ 2- ¥ 5/ meter
Weather Strip	¥ 0.2- ¥ 0.5/ pc
Silicone Sealant	¥ 10- ¥ 15/ pc

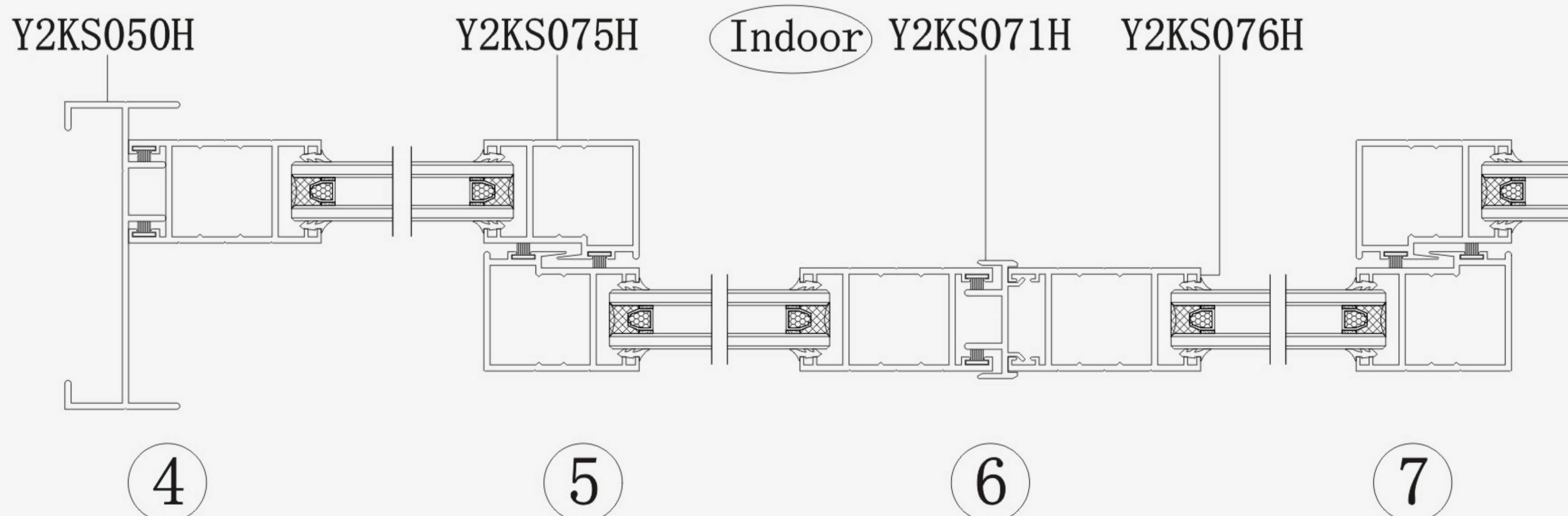
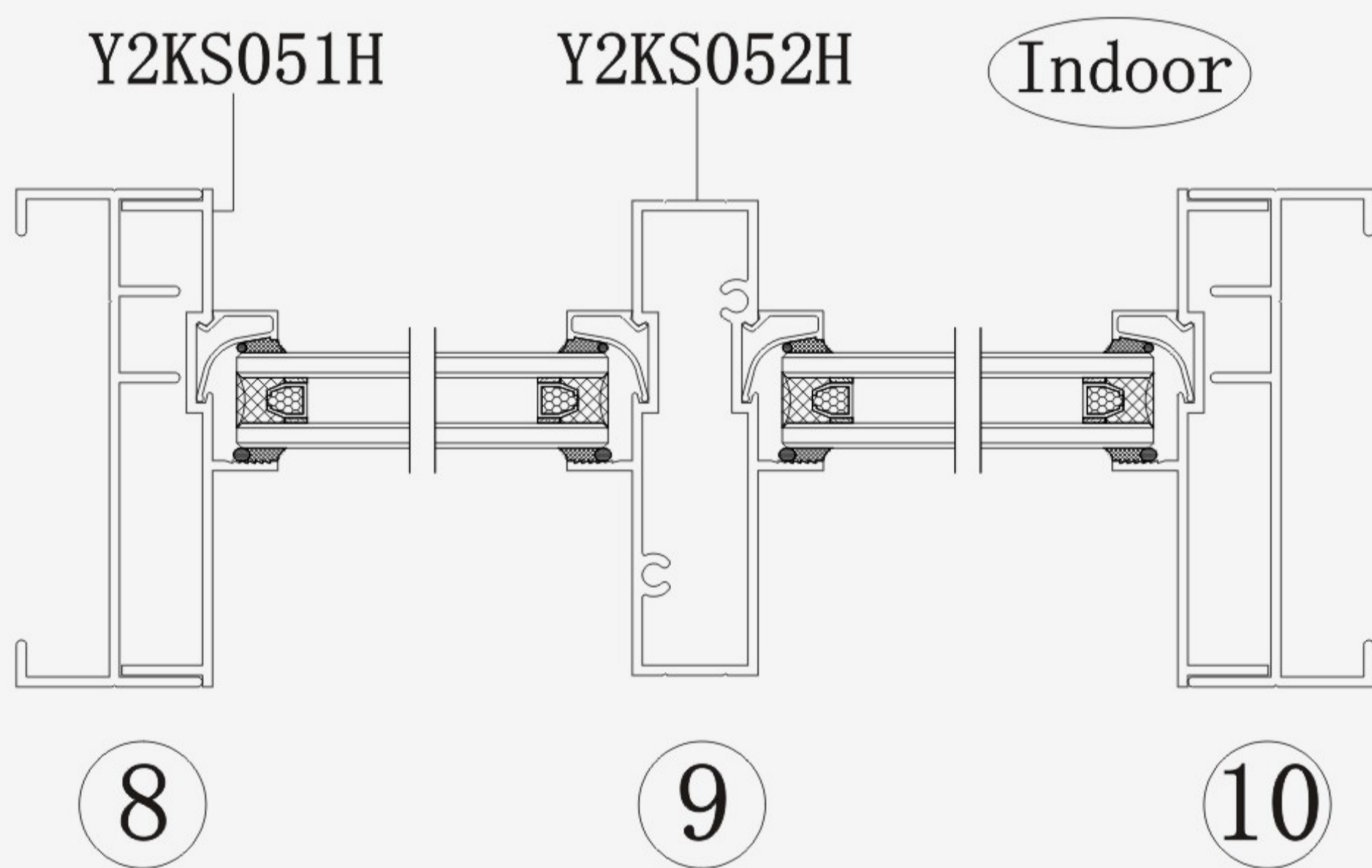
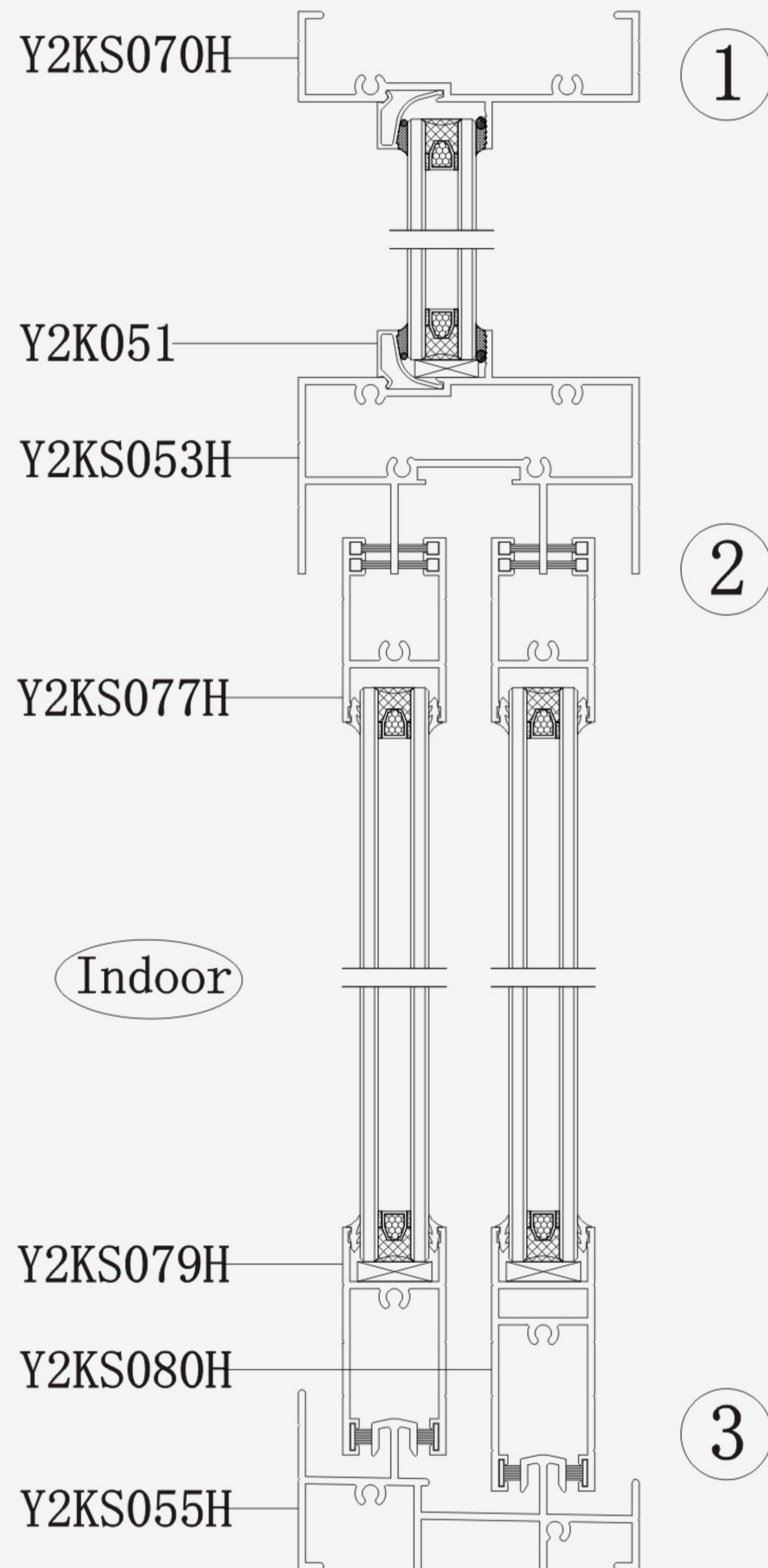
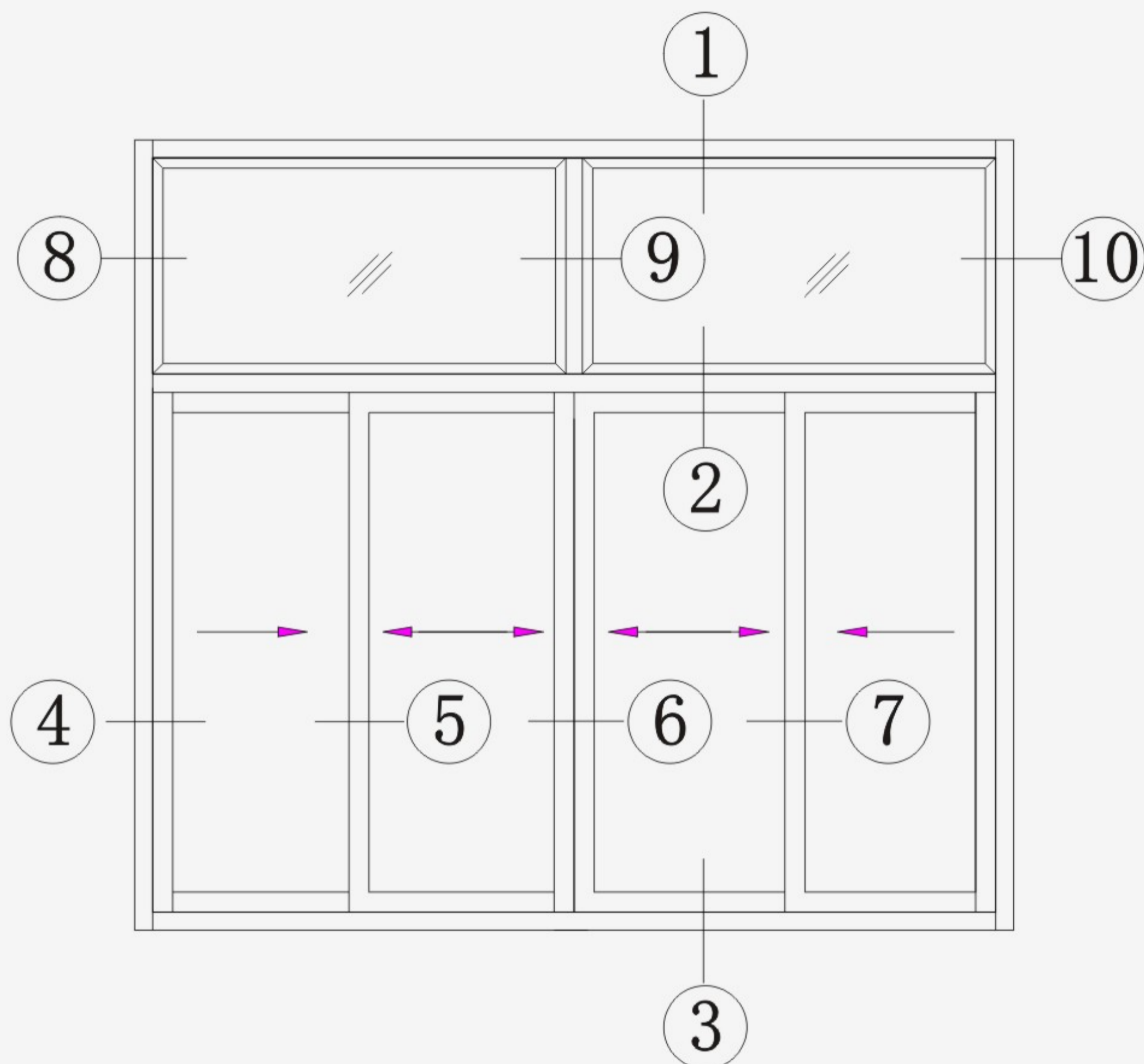
\* For reference only,subject to further change.



GUANG YA

# Y2KS Series Aluminum Sliding Door

## Y2KS Series Aluminum Sliding Door





GUANG YA

# Y2KS Series Aluminum Sliding Door

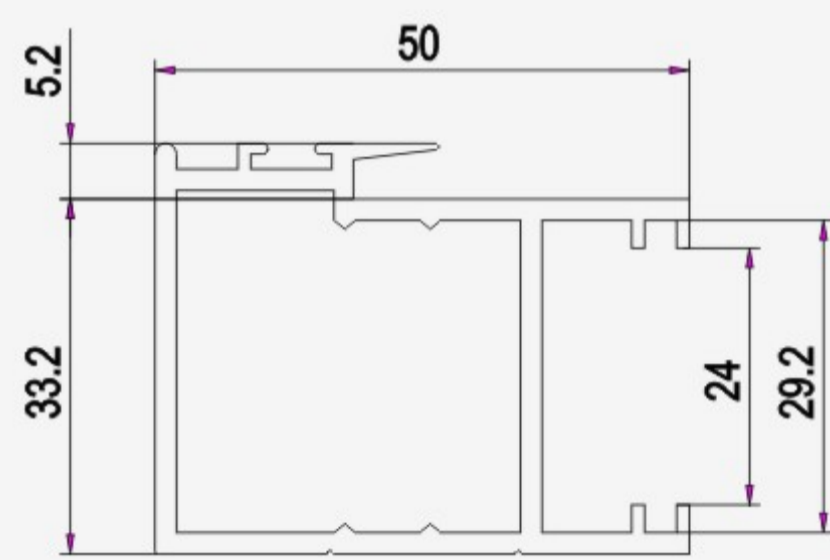
<b>Application</b>	Fixed Head	<b>Application</b>	Double Top Rail	<b>Application</b>	Sill
<b>DWG No.</b>	Y2KS053H	<b>DWG No.</b>	Y2KS077H	<b>DWG No.</b>	Y2KS055H
<b>Thickness</b>	$\delta = 2.0$	<b>Thickness</b>	$\delta = 2.0$	<b>Thickness</b>	$\delta = 2.0$
<b>T.W.</b>	2.200kg/m	<b>T.W.</b>	0.840kg/m	<b>T.W.</b>	1.698kg/m
<b>Application</b>	Double Bottom Rail	<b>Application</b>	Jamb	<b>Application</b>	Double Out-bottom Rail
<b>DWG No.</b>	Y2KS079H	<b>DWG No.</b>	Y2KS050H	<b>DWG No.</b>	Y2KS080H
<b>Thickness</b>	$\delta = 2.0$	<b>Thickness</b>	$\delta = 2.0$	<b>Thickness</b>	$\delta = 2.0$
<b>T.W.</b>	0.921kg/m	<b>T.W.</b>	1.117kg/m	<b>T.W.</b>	1.162kg/m
<b>Application</b>	Jamb Insert Plate	<b>Application</b>	Double Stile	<b>Application</b>	Fixed Frame
<b>DWG No.</b>	Y2KS051H	<b>DWG No.</b>	Y2KS076H	<b>DWG No.</b>	Y2KS070H
<b>Thickness</b>	$\delta = 2.0$	<b>Thickness</b>	$\delta = 2.0$	<b>Thickness</b>	$\delta = 2.0$
<b>T.W.</b>	0.814kg/m	<b>T.W.</b>	1.078kg/m	<b>T.W.</b>	1.029kg/m



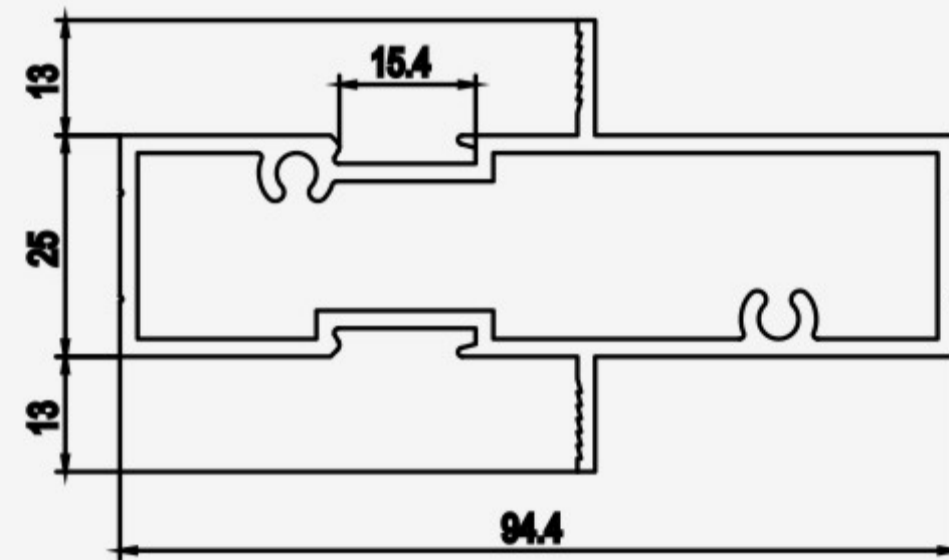
GUANG YA

# Y2KS Series Aluminum Sliding Door

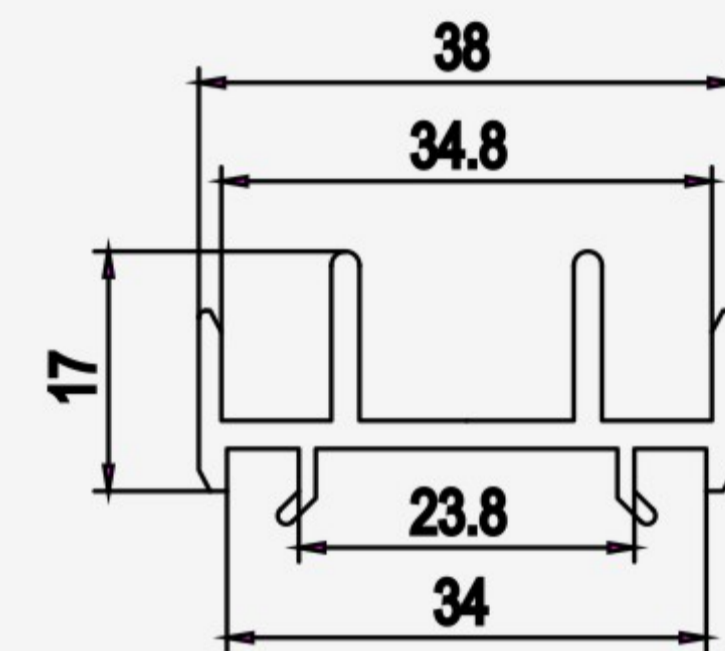
<b>Application</b>	Double Interlock
<b>DWG No.</b>	Y2KS075H
<b>Thickness</b>	$\delta = 2.0$
<b>T.W.</b>	0.992kg/m



<b>Application</b>	Mullion
<b>DWG No.</b>	Y2KS052H
<b>Thickness</b>	$\delta = 2.0$
<b>T.W.</b>	1.576kg/m

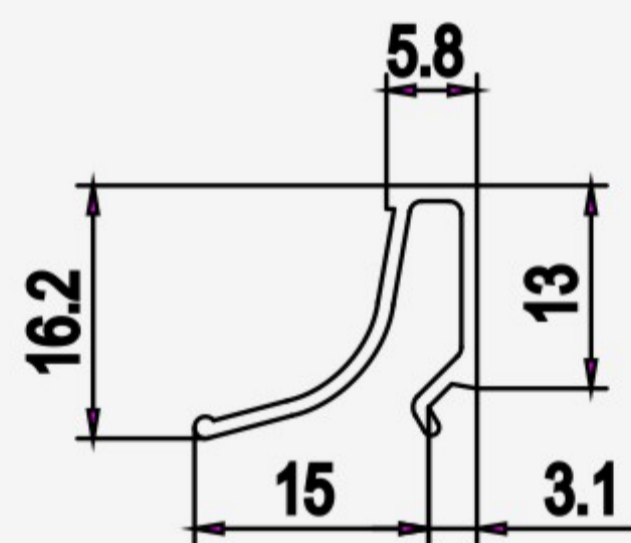


<b>Application</b>	Stile Adapter
<b>DWG No.</b>	Y2KS071H
<b>Thickness</b>	$\delta = 2.0$
<b>T.W.</b>	0.465kg/m



<b>Application</b>	Double-glazing Bead
<b>DWG No.</b>	Y2K051
<b>Thickness</b>	$\delta = 1.0$
<b>T.W.</b>	0.127kg/m

\* Assembled For Y2KS005C, Glazed For 24mm.



<b>Application</b>	Double-glazing Bead
<b>DWG No.</b>	38117
<b>Thickness</b>	$\delta = 1.0$
<b>T.W.</b>	0.129kg/m

\* Assembled For Y2KS005C, Glazed For 24mm.

